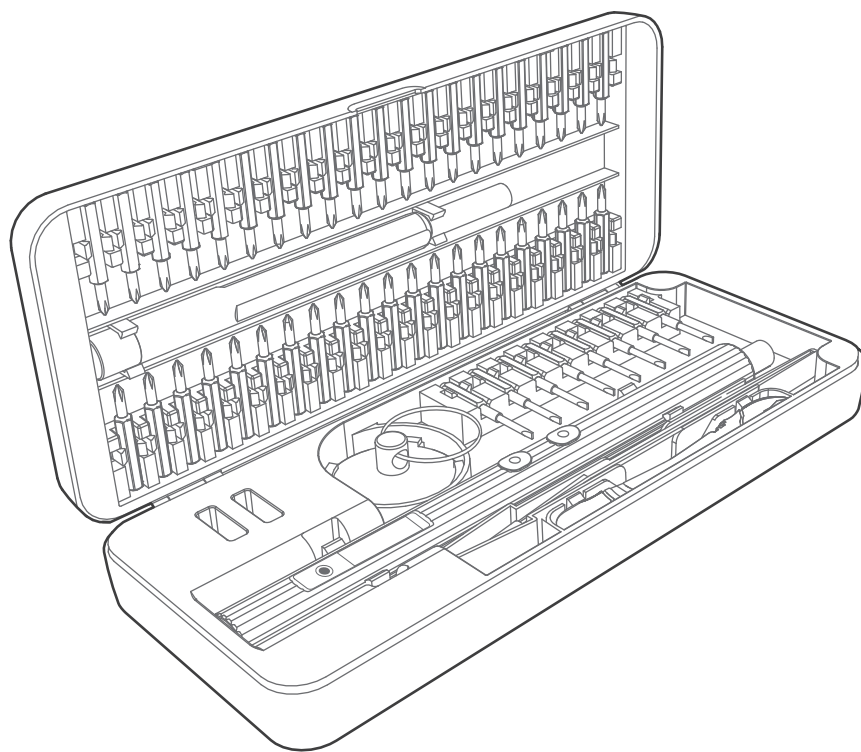


58 PIECES

PRECISION ELECTRIC SCREWDRIVER SET

NO-882058



User Manual

Before use, please carefully read all safety warnings, instructions, illustrations, and regulations marked in the manual.



Safety Warm Tip

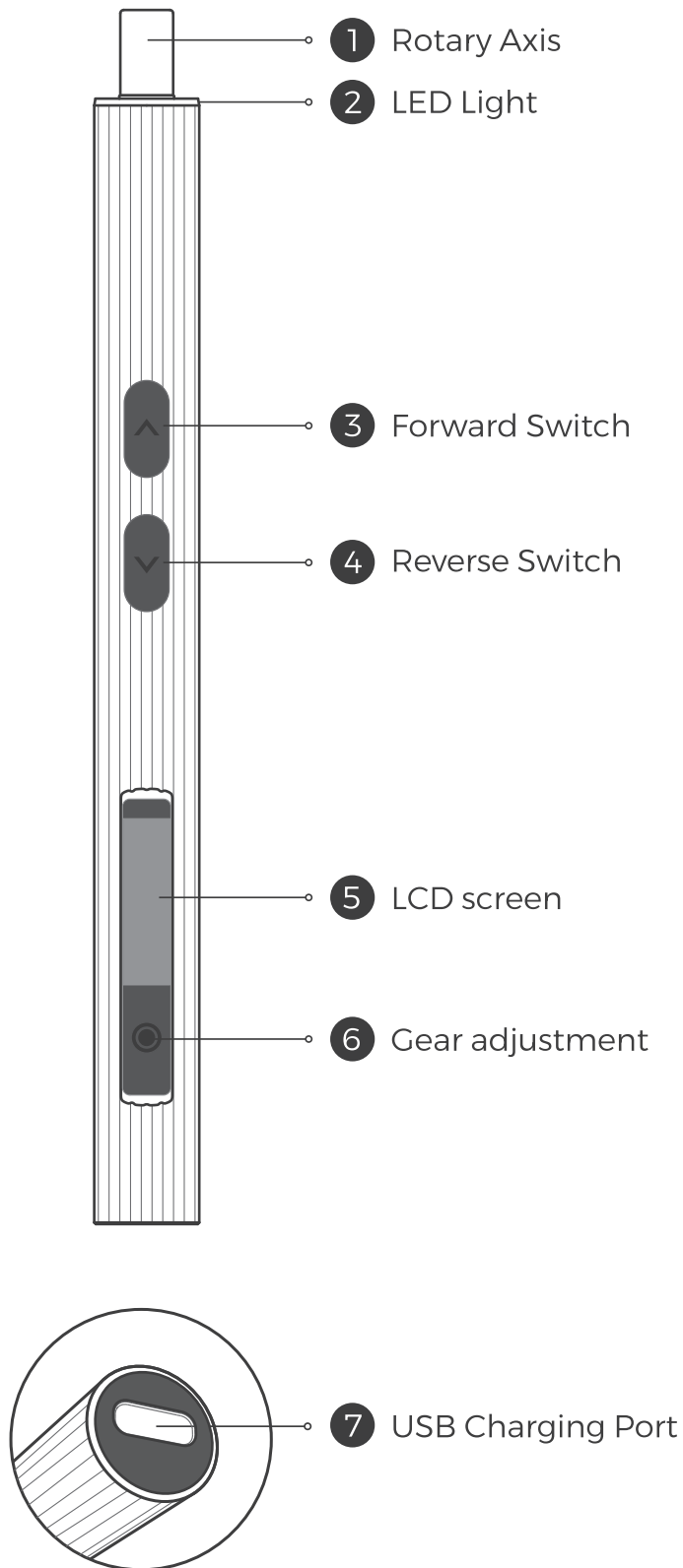
Electrical Safety

- 1, the electric screwdriver charging head needs to use original accessories, which will greatly reduce the danger of charging.
- 2, please do not expose the electric screwdriver to the sun burst or placed it in a humid environment, which will lead to the screwdriver rust and can not be used.
- 3, if you can not avoid using the electric screwdriver in a humid environment, please wear silicone type gloves as a protective measure to reduce the risk of electric shock.
- 4, if the electric screwdrivers is operated in an electrostatic environment, please install an electrostatic ring to demagnetize the bit to reduce operating accidents.

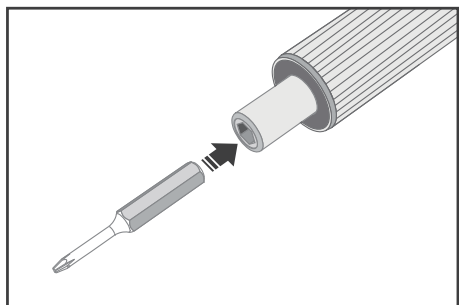
Personal Safety

- 1, Electric screwdriver has a certain degree of danger, please do not let babies or children to use the product to avoid harm to them.
- 2, Do not put it in your personal pocket or bag to avoid accidental activation of the electric screwdriver and cause injury.
- 3, when operating the electric screwdriver, the hand grip height should not be too high or too low. Ensure that other external forces can also control the electric screwdriver.

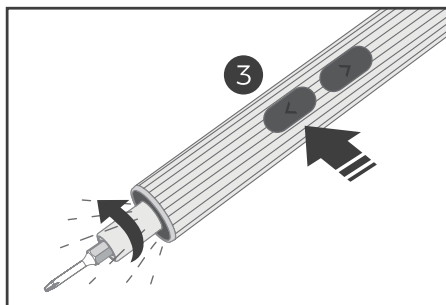
Part Description



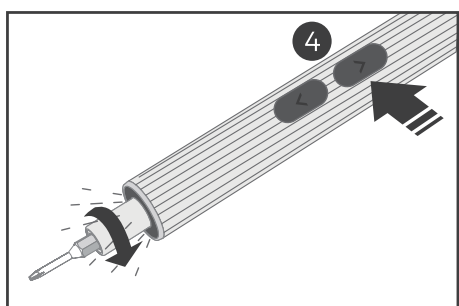
Using Steps



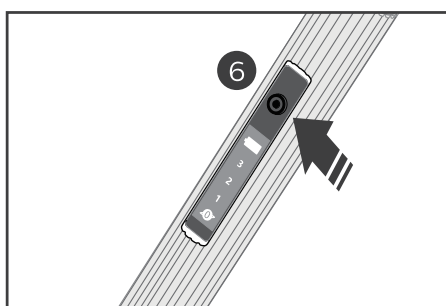
1. Install bit.



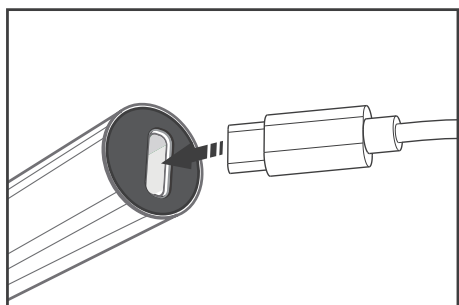
2. Press ③, Tighten the screw and turn on the light at the same time.



3. Press ④, loosen the screws and turn on the light at the same time.



4. Press ⑤, Each press will adjust to a different torque gear.



5. There is a Type-C USB charging port at the end of the screwdriver.

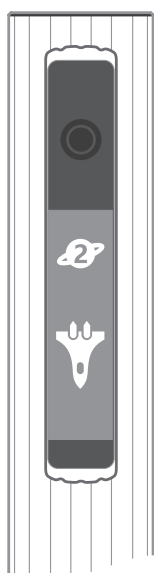
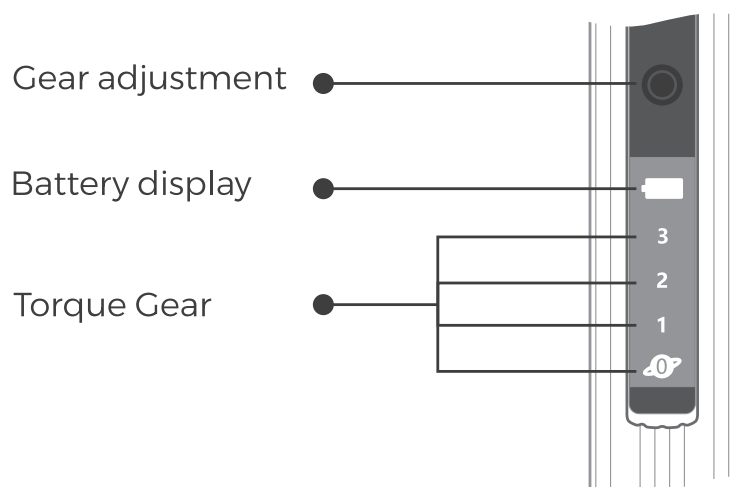
Charging Instruction

Charging using the Type-C USB universal charging port, the product's charging screen displays a cyclic incremental flashing of the battery indicator icon. When fully charged, the battery icon remains lit.



1, Please charge the screwdriver fully and the charging time is no more than 2.5 hours before when using the screwdriver the first time.

2, Please charge the screwdriver at least once a month to maintain a good performance.

LCD Screen Instructions



The product is equipped with three torque, can be switched to different gears through the "gear adjustment" button.

"0 gear" for the shutdown gear, this gear motor and lighting are not working; switch to 1-3 gear to start working, the screen into the work interface (as shown in the left figure). The icon shows "  " for twisting the screws, the screen icon shows "  " for twisting the screws loosely.

The light will automatically turn off after 10 seconds when not working.

Gear torque comparison table

Gear	torque value
0	/
1	0.1 N.m~0.15 N.m
2	0.15 N.m~0.25 N.m
3	0.25N.m~0.35 N.m

(The above parameters are for the fully charged state.)

Product Specification:

Model: NO-882058
Dimension of product: 196x32x82mm
Bit specification: H4x28mm & H4x35mm
Bit material: S2 Premium Steel

Electric Screwdriver Specifications:

Battery Capacity: 500mAh	Voltage: 3.7V-DC
Battery Type: Li Battery	Idling Speed: 200rpm
Electric Torque: 0.1-0.35N.m	Manual Torqye: 3.5N.m
Charging Time: <120mins	Net Weight: 59g


Metal Handle Specifications:

Handle material: Aluminum alloy
Handle size: 10x10x127mm
Net Weight: 22g













Contents Include:

Electric Screwdriver Handlex1, Metal Handlex1, S2 Bitx50,
USB Charging Cables1, Magnetizer & Demagnetizerx1,
Tweezersx1 , Plastic Pry Toolx1, Suction Cupx1, SIM Card
Removal Toolx1, User Manualx1

H4x35mm x 8Pcs Screwdriver Bits:

 PH000, PH00	 Y000, Y00
 SL1.5, SL2.0	 P2, P5

H4x28mm x 42Pcs Screwdriver Bits:

-  PH0000, PH0, PH1, PH2
-  T5H, T6H, T7H, T8H, T9H, T10H, T15H, T20H
-  H0.7, H0.9, H1.3, H1.5, H2.0, H2.5, H3.0, H3.5, H4.0
-  SL1.0, SL2.5, SL3.0, SL3.5, SL4.0
-  SQ0, SQ1, SQ2
-  T2, T3, T4
-  2.0, 2.3, 3.0
-  SIM
-  U2.6, U3.0
-  W1.5
-  Y2.0, Y2.5
-  P6

Precautions for use

- 1, when using the electric screwdriver to remove the screw, you can loosen the screw by hand first, to avoid damage the screw and the product parts at the screw.
- 2, when the electric screwdriver is not in use, please put the electric screwdriver out of the reach of children.
- 3, if the product accidentally falls into the water or splashes into the machine, please stop using the product to avoid short circuit.
- 4, When maintaining the electric screwdriver, please check whether the bit rotates smoothly and whether other parts are damaged, etc.. If damaged, please repair it before use, using a damaged electric screwdriver may cause accidents.
- 5, When operating fasteners or touching hidden wires, to hold the electric screwdriver through the insulator gripping surface. Beware of fasteners touching live wires, which will electrify the exposed metal parts of the tool and cause electric shock to the operator.
- 6, Do not disassemble the product without permission.
- 7, Please operate according to the manual.

Built-in battery safety warning

- 1, Forbidden to disassemble, substitute opening or shredding tool.
- 2, Forbidden to expose the electric screwdriver to heat source or flames, and avoid storing it under direct sunlight.
- 3, Forbidden to short-circuit the exposed terminals, do not put more than one tool in a box or drawer to avoid short-circuiting between them or by other metal. Avoid short-circuiting between them or by other metal objects.
- 4, In case of battery leakage, do not let the leakage touch the skin or eyes. If case of contact, flush effected area with plenty of water and seek medical attention.
- 5, Do not use non-specified adapters.
- 6, Do not use batteries that are not specific to the device.
- 7, Keep the tool clean and dry.
- 8, If the tool charging extreme becomes dirty should be wiped with a clean and dry cloth.
- 9, Electric screwdriver should be charged before use. Charging should be done with the correct charger and refer to the manufacturer's instructions or the correct Instructions for charging.
- 10, Do not charge the tool for a long time when not in use.
- 11, After frequent long-term storage, the tool should be charged and discharged several times to obtain the best performance.

Maintenance

- 1, Ask professional maintenance staffs to use the same spare parts to repair the electric screwdriver. This will ensure the safety of the electric screwdriver being repaired.
- 2, Never repair the damaged battery pack. The battery pack can only be repaired by the producer or the authorized service providers.

